



# PART NUMBER BREAKDOWN



## Miniature Based Bulbs



**BF3127-0PB-120A**

series

color code

voltage

## Panel Indicators



**PF50-0AG-028V-W6**

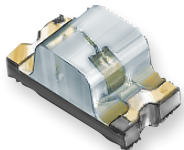
series

color code

termination

voltage

## Discrete & SMD LEDs



**SML0603-Y3KH-TR**

series

color code

package type

## PCB LEDs




**31PCS170T5-G/Y/UB**

series

intensity code

color code


### Tube Lights



**LED48T8KL2-15W-XNW-101WC**

- length (inches)
- series
- power (watts)
- clear/frosted lens
- manufactured overseas
- color code
- tube size (T8, T5, etc.)


### High Bays



**HBL006-240W-XPW-101D**

- series
- power (watts)
- color code
- manufactured overseas
- dimmable


### CFL Replacement Lamps



**LED30G24QBRL-12W-XIW-001AW**

- series
- base type
- ballast ready (BB=ballast bypass)
- power (watts)
- color code
- AC voltage

### Shoebboxes



**SBX002T-300W-XPW-105A-BNS-D**

- series
- power (watts)
- color code
- illumination pattern type
- AC voltage
- sensor type
- bracket