



LED 1x4ft Low Voltage Thin Panel Light

25 Watts – 12 to 24VDC – 120° Wide Beam – 4000K Natural White



FEATURES

- 5 Year LEDtronics Warranty
- Lumen Maintenance over 70% @ 50,000+ Hours
- Energy Savings up to 75% over Fluorescents
- Solid State – High-Shock & Vibration Resistant
- SMD2835 Chips: High Lumen, High CRI
- Install in Any Orientation: Two Mounting Rails Provided – Install Rails Either with Flat Side of Rail Flanges Facing Out with the LEDs, Or Raised Side Facing Out
- Polystyrene Frosted White Diffuser, Aluminum PMMA Light Guide Plate
- Wide Operating Temperature Range: ~-4°F to ~+113°F [~-20°C to ~+45°C]
- No UV, No RF Interference, Minimal Heat (IR)
- Eco-Friendly – RoHS Compliant
- LED LM80 Report on File

APPLICATIONS

- Bus, Passenger Rail & Similar Applications
- Battery-Power Sources
- Solar & Wind Power Applications
- Mobile & Off-Grid Applications
- Reduced Fire Risk, Safer Low-Voltage Applications
- Rural Off-Grid Lighting

AVAILABLE OPTIONS

- Other White Color Temperatures
- Other Voltages
- Other Beam Angles

OPTIONAL ACCESSORIES (SOLD SEPARATELY)

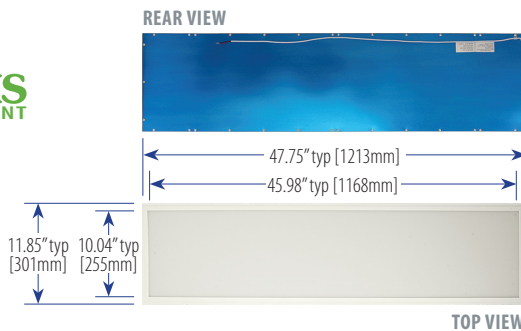
- Surface Mounting Aluminum Fixture for Ceilings, White Finish Frame (Silver Finish Frames Available as Pre-order Option)
- Steel Wire Cables for Ceiling Suspension
- Hanger

40 Years of LEDtronics Design, Engineering & Manufacturing Experience



1x4 ft

Uses 25 Watts, Replaces 52W T12; 40W T8; 200W Incandescent; 200W Tungsten Halogen (Quartz)



BSD-2062-001

| | |
|----------------------------------|--|
| Input Power | 25 Watts |
| Input Voltage | 12~24VDC (Tested @ 12VDC) |
| Input Current | 2.09A |
| Color Temperature | 4000K |
| Emitted Color | Natural White |
| Total Lumens | 3435 lm |
| Efficacy | 135 lm/W |
| CRI | >80 |
| Max. Candela | 1135 cd |
| Angle of Illumination | 120° |
| Dimmability | Not Dimmable |
| Diffuser Plate | Polystyrene / Frosted White |
| Frame / Light Guide Plate | Aluminum PMMA / White |
| Operating Temperature | -4°F ~+113°F / -20°C ~+45°C |
| Protection Rating | IP40 |
| Dimensions | 47.75 x 11.85 x 0.37 inch 1213 x 301 x 9.4 mm |
| Weight (w/Power Supply) | 8.47 lbs / 3.84 kg |

Hardware includes:

- (1) Junction Box w/ Power Supply (L: 7.95 x W: 3.30 x H: 1.38)
- (2) White Aluminum Rails (L: 47-3/4 x W: 1.38 x H: 0.77) Junction

LEDTRONICS®

America's Premium Brand LED Company™



© 2023 LEDtronics, Inc.



23105 Kashiwa Court, Torrance, CA 90505
 Phone: (800) 579.4875 / (310) 534.1505
 Fax: (310) 534.1424
 E-mail: info@ledtronics.com
 Website: ledtronics.com

To order LEDtronics products, contact the Distributor or Sales Representative in your area.

Visit our website to find your local Distributor or Representative from our worldwide network:

LEDtronics.com

WWW.LEDTRONICS.COM

LOG 809 / Rev 10-2023

Check LEDTRONICS.COM for latest data. Printed material may be outdated.

Luminaire Photometric Report

Filename: BSD-2062-001

Manufacturer: LEDTRONICS

Luminaire: FROSTED LENS, 25W, 12VDC

Lamp Output: 1 lamp, rated Lumens/lamp: 3433

Max Candela: 1,134.6 at Horizontal: 0°, Vertical: 0°

Luminous Opening: Point

Test: 12-13-19

Photometry : Type C

CIE Class: Direct

Cutoff Class: Full Cutoff

Nema Type: 7 X 7

Lumens Per Zone

| Zone | Lumens | % Total | Zone | Lumens | % Total |
|-------|--------|---------|---------|--------|---------|
| 0-10 | 107.4 | 3.1% | 90-100 | 0 | 0% |
| 10-20 | 309.2 | 9.0% | 100-110 | 0 | 0% |
| 20-30 | 473.6 | 13.8% | 110-120 | 0 | 0% |
| 30-40 | 580.3 | 16.9% | 120-130 | 0 | 0% |
| 40-50 | 612.3 | 17.8% | 130-140 | 0 | 0% |
| 50-60 | 564.7 | 16.5% | 140-150 | 0 | 0% |
| 60-70 | 441.4 | 12.9% | 150-160 | 0 | 0% |
| 70-80 | 264.0 | 7.7% | 160-170 | 0 | 0% |
| 80-90 | 80.1 | 2.3% | 170-180 | 0 | 0% |

