



Recessed Retrofit LED 5" & 6" Downlight, Dimmable

15 Watts – 120VAC – 110° Cutoff Beam – 3000K Warm White – E26 Base



FEATURES

- 5 Year LEDtronic Warranty
- Direct Retrofit into Recessed 5" or 6" Aperture Housing
- Energy Savings of up to 80%
- Standard E26 Edison Screw Base Adapter
- Lumen Maintenance over 70% @ 36,000+ Hours
- Compatible w/ Most Triac Phase-Control Dimmers
- No UV/IR Radiation, No Toxic Mercury, RoHS Compliant
- ETL/cETL Listed: 4007519 (UP-DL133-5&6-15W-D)
- Available Adapter Option: GU10 / GU24 Base
- LED LM80 Report Available

APPLICATIONS

- Ceiling Installations for General Ambient Lighting in Homes, Offices & Public Facilities
- Retail Store Lighting
- Museums, Galleries, Showrooms
- Hotels, Hospitality Areas
- Hospitals, Clinics, Workrooms
- Corridors, Lobbies, Stairways

Over 35 Years of LEDtronic Design, Engineering & Manufacturing Experience

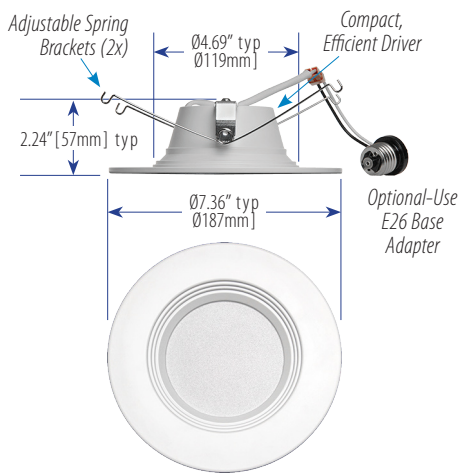


Fits 5" or 6" Aperture

15 Watts, Replaces Halogen Lamps up to 75W

RDL32L-6-15W-XIW-101D

Input Power	15 Watts
Input Voltage	120VAC
Input Current	0.130A
Total Lumens	965 lm
Efficacy	65 lm/W
Max. Candela	410 cd
Power Factor	0.95
Emitted Color	Warm White
Color Temperature	3000K
CRI	≥80
Beam Angle	110°
Housing	Aluminum / White
Lens	Polycarbonate / Frosted White
Trim Type / Color	Baffle / White
Base	E26 Medium Screw
Operating Temp.	-20°C ~+45°C -4°F ~+113°F
Dimensions	WØ7.36 x H2.24 inch WØ187 X H57 mm
Weight	0.37 lbs / 0.17 kg



LEDTRONICS®

America's Premium Brand LED Company™



23105 Kashiwa Court, Torrance, CA 90505
 Phone: (800) 579.4875 / (310) 534.1505
 Fax: (310) 534.1424
 E-mail: info@ledtronics.com
 Website: ledtronics.com

© 2018 LEDtronic, Inc.

To order LEDtronic products, contact the Distributor or Sales Representative in your area.

Visit our website to find your local Distributor or Representative from our worldwide network:

LEDtronic.com

Luminaire Photometric Report

Filename: RDL32L-6-15W-XIW-101D

Manufacturer: LEDTRONICS

Luminaire: FROSTED LENS, 15W, 120VAC

Lamp Output: 1 lamp, rated Lumens/lamp: 962.9

Max Candela: 409.0 at Horizontal: 90°, Vertical: 5°

Luminous Opening: Point

Test: 2-8-18

Photometry : Type C

CIE Class: Direct

Cutoff Class: Full Cutoff

Nema Type: 7 X 7

Lumens Per Zone

Zone	Lumens	% Total	Zone	Lumens	% Total
0-10	37.7	3.9%	90-100	0	0%
10-20	106.4	11.1%	100-110	0	0%
20-30	157.9	16.4%	110-120	0	0%
30-40	185.7	19.3%	120-130	0	0%
40-50	185.7	19.3%	130-140	0	0%
50-60	154.8	16.1%	140-150	0	0%
60-70	97.6	10.1%	150-160	0	0%
70-80	32.9	3.4%	160-170	0	0%
80-90	4.0	0.4%	170-180	0	0%

