



LED Mini Wall Pack, 25 Watts, Dimmable

100 to 277VAC – 90° Beam – 4000K & 5700K White – Clear Lens – IP65: Moistureproof – ETL & DLC



FEATURES

- 5 Year LEDtronics Warranty
- Durable Die-cast Aluminum Heatsink, PC Housing
- Energy Savings of over 65%
- Lumen Maintenance over 70% @ 54,000+ Hours
- IP65: Moistureproof – Suitable for Outdoor Locations
- Dimmable 0-10V – Title 24 Compliant
- ETL/cETL & DLC QPL Listed
- High Lumen & Efficacy
- Solid-State: High-Shock & Vibration Resistant
- Eco-Friendly, RoHS Compliant
- LM79 SMD LEDs (Reports Available)

APPLICATIONS

- Perimeter Security Lighting
- Building Entrance Lighting
- Warehouses, Loading Platforms
- Walkways, Underpasses & Pathways
- Recreation Areas
- Parking Lot Lighting

AVAILABLE OPTIONS

- Other CCTs: 5000K
- Motion Detectors



4001379

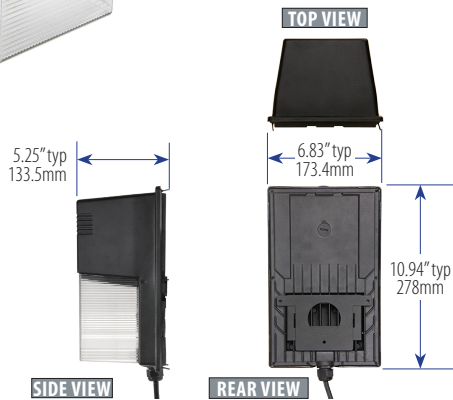


Over 35 Years of LEDtronics Design, Engineering & Manufacturing Experience



Vertical Configuration

Uses 25 Watts,
Replaces MH/HPS
Lamps up to 70W



WLPV-025W-XNW-101D (Natural White)

WLPV-025W-XPW-101D (Pure White)

	XNW	XPW
Input Power	25.89 Watts	24.96 Watts
Input Voltage	100~277VAC (Tested @ 120VAC)	
Input Current	0.271A	0.214A
Power Factor	0.898	
Total Lumens	2817 lm	2729 lm
Efficacy	108.8 lm/W	109.3 lm/W
Max. Candela	1348 cd	1342 cd
CRI	84	
Illumination Angle	90°	
Emitted Color	Natural White	Pure White
Color Temperature	4000K	5700K
Dimmability	0-10V	
Oper. Temperature	-40°F ~ +122°F / -40°C ~ +50°C	
Heatsink	Die-Cast Aluminum / Black	
Housing	Polycarbonate / Black	
Lens Material	Polycarbonate / Clear	
Protection Rating	IP65	
Shatterproof Rating	IK08	
Dimensions (LxWxH)	10.94 x 6.83 x 5.25 inch 278 x 173.4 x 133.5 mm	
Weight	3.33 lbs / 1.51 kg	
DLC Listing	PLHYQLFP35G	PLRWWWFP4IT

WWW.LEDTRONICS.COM

LOG 744 / Rev 08-2018

LEDTRONICS®

America's Premium Brand LED Company™



23105 Kashiwa Court, Torrance, CA 90505

Phone: (800) 579.4875 / (310) 534.1505

Fax: (310) 534.1424

E-mail: info@ledtronics.com

Website: ledtronics.com



© 2018 LEDtronics, Inc.

To order LEDtronics products,
contact the Distributor or Sales Representative in your area.

Visit our website to find your local Distributor or Representative from our worldwide network:

LEDTRONICS.COM

Check LEDTRONICS.COM for latest data.
Printed material may be outdated.

Filename: WLPV-025W-XNW-101D

Manufacturer: LEDtronics, Inc.

Lamp: 2835

Lamp Output: 1 lamp, rated Lumens/lamp: 2654.8

Max Candela: 1,322.9 at Horizontal: 150°, Vertical: 10°

Input Wattage: 25.6

Luminous Opening: Rectangle (L: 4.72", W: 5.12")

Test Date: 2018-02-07

Test Lab: Eway

Photometry : Type C

CIE Class: Direct

Cutoff Class: Cutoff

Nema Type: 7 X 7

Lumens Per Zone

Zone	Lumens	% Total	Zone	Lumens	% Total
0-10	98.3	3.7%	90-100	23.3	0.9%
10-20	252.9	9.5%	100-110	25.1	0.9%
20-30	330.1	12.4%	110-120	27.9	1.1%
30-40	379.3	14.3%	120-130	25.4	1%
40-50	426.2	16.1%	130-140	21.3	0.8%
50-60	411.4	15.5%	140-150	17.3	0.7%
60-70	333.6	12.6%	150-160	9.9	0.4%
70-80	205.5	7.7%	160-170	4.0	0.2%
80-90	62.2	2.3%	170-180	1.1	0%

