



# LED 12VDC Module Strings for Signage, Backlighting

Only 0.72 or 1.44 Watt/Module – Replaces Incandescents/Fluorescents – IP65 Rated



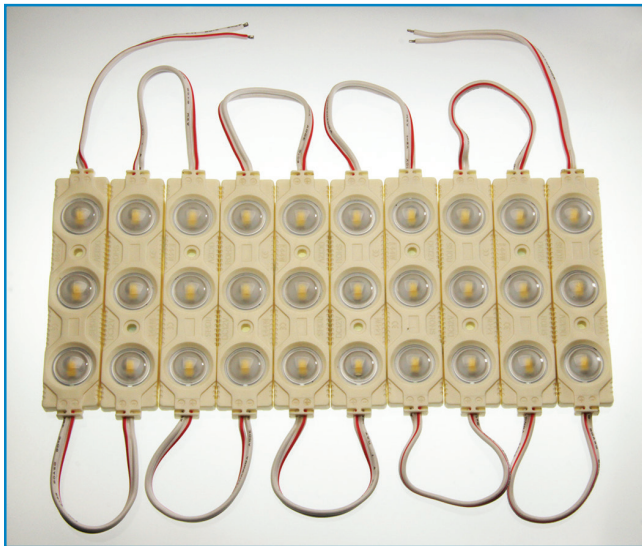
## FEATURES

- 3 Year LEDtronic Warranty
- IP65 Water-Resistant & Epoxy-Sealed ABS Housing
- Lumen Maintenance over 70% @ 13,000+ Hours
- Energy Savings of up to 70% over Fluorescents
- High-Lumen SMD LEDs
- No UV, No IR, No RF Interference / Minimal Heat
- No Mercury, No Lead — ROHS Compliant
- Solid-State: High-Shock & Vibration Resistant
- Even Lighting, No Buzzing, No Flickering
- Choice of Warm, Pure or Cool White CCT

## APPLICATIONS

- Suitable for Signs with Depth of 3.15 to 5.9 inch (8 to 15 cm, 3M Series) or 4.72 to 7.08 inch (12 to 18 cm, 3H Series)
- Interior Design Uses, Concealed Accent Lighting, Channel Letters
- Retail Store Displays, Undercounter/ Undercabinet Lighting, Display Cases
- Closet Illumination, Light Boxes
- Cove & Edge Lighting, Building Perimeters, Metal Letter Edge Lighting
- Backlighting Signage

Over 35 Years of LEDtronic Design, Engineering & Manufacturing Experience

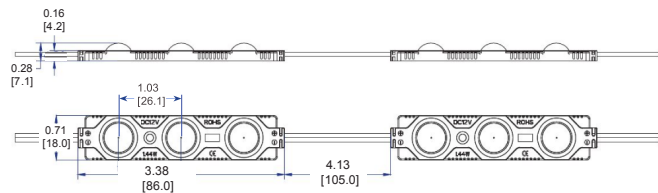


STP301S-3H-TIW-012V (Warm White)  
 STP301S-3H-TPW-012V (Pure White)  
 STP301S-3H-TCW-012V (Cool White)

(Test Data / Module)

	TIW	TPW	TCW
Emitted Color	Warm White	Pure White	Cool White
Color Temperature	2700K~3500K	6000K~7000K	9000K~10000K
Input Voltage (typ)	12VDC		
Input Power	1.44 Watts		
Total Lumens	130~140 lm		
Efficacy	90 lm/W		
Illumination Angle	160°		
Housing	ABS		
Oper. Temperature	-4°F to 104°F (-20°C to 40°C)		
Max. Daisy Chain	20 Modules per String		
Safety Rating	IP65		
Dimensions	L3.38 x W0.71 x D0.28 inch / L86 x W18 x D7 mm		
Weight	0.029 lb / 0.46 oz / 13 g		

- A Single Module or Multiple Modules Can Be Wired to 12VDC Systems – up to 20 Modules Maximum
- Adhesive Tape Backing on Modules Used as Installation Aid Only – Screws Provide Permanent Adhesion
- Sold as Package Containing 5 Strings, 20 Modules per String (100 Modules per Anti-Static Package)
- Caution: Not for Unprotected Submersal in Water



**LEDTRONICS**<sup>®</sup>  
 America's Premium Brand LED Company™



© 2017 LEDtronic, Inc.



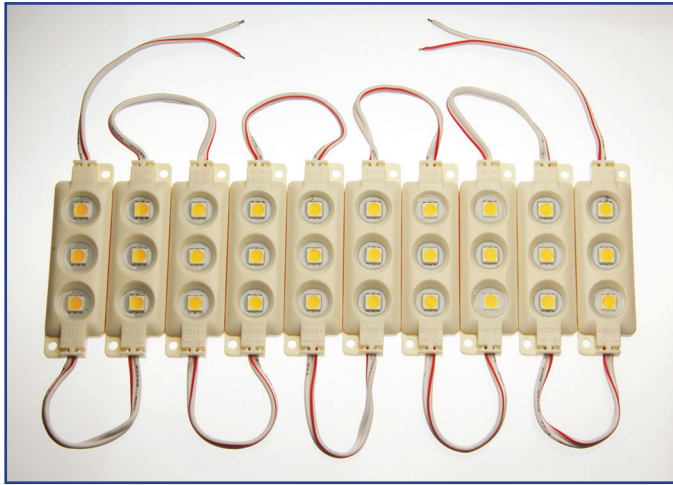
23105 Kashiwa Court, Torrance, CA 90505  
 Phone: (800) 579.4875 / (310) 534.1505  
 Fax: (310) 534.1424  
 E-mail: info@ledtronics.com  
 Website: ledtronics.com

To order LEDtronic products,  
 contact the Distributor or Sales Representative in your area.

Visit our website to find your local Distributor or Representative from our worldwide network:

**LEDtronic.com**

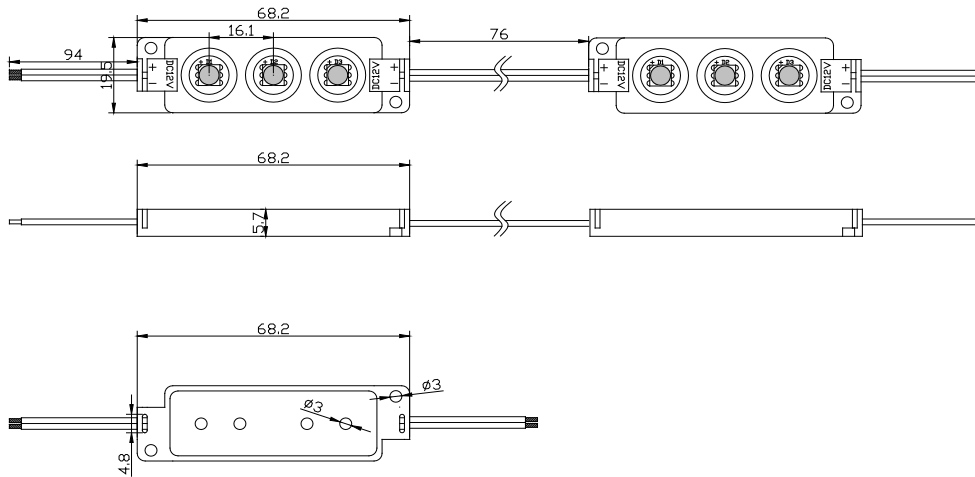
# LED High-Lumen 12VDC Module Strings for Signage & Backlighting: 0.72W/Module



**STP301S-3M-TIW-012V** (Warm White)  
**STP301S-3M-TPW-012V** (Pure White)

(Test Data / Module)

	<b>TIW</b>	<b>TPW</b>
<b>Emitted Color</b>	Warm White	Pure White
<b>Color Temperature</b>	2900K~3300K	5700K~7000K
<b>Input Voltage (typ)</b>	12VDC	
<b>Input Power</b>	0.72 Watts	
<b>Total Lumens</b>	130~140 lm	
<b>Efficacy</b>	65~70 lm/W	
<b>Illumination Angle</b>	120°	
<b>Housing</b>	ABS	
<b>Oper. Temperature</b>	-4°F to 104°F (-20°C to 40°C)	
<b>Max. Daisy Chain</b>	20 Modules per String	
<b>Safety Rating</b>	IP65	
<b>Dimensions</b>	L2.68 x W0.76 x D0.22 inch / L68 x W19 x D6 mm	
<b>Weight</b>	0.020 lb / 0.32 oz / 9.1 g	



## SAMPLE APPLICATIONS

*LEDtronics LED striplights provide color accents and illumination in shopping malls, showrooms and homes in Mexico, Nevada and California*

