



# LED High Voltage, Low Profile High Bay Light

150 Watts – Dimmable – 277~480 VAC – Energy Savings of over 70% – UL Listed



## FEATURES

- 5 Year LEDtronic Warranty
- High Lumen / High CRI / Low Glare
- Lumen Maintenance over 70% @ 50,000+ Hours
- Magnesium Alloy Body with Advanced Magnetic Induction Radiant Cooling System that Improves LED Longevity
- Weather & Acid/Alkaline Resistant Tempered Glass Lens
- IP66: Suitable for High Humidity/Low Temperature Sites
- Extra Light Weight – Ideal for High Bay Applications
- No UV / No IR, Impact Resistant / Seismically Safe
- UL/cUL Listed: File E467658 (P/N LLHA06-S150)
- LM79 & LM80 Test Reports Available

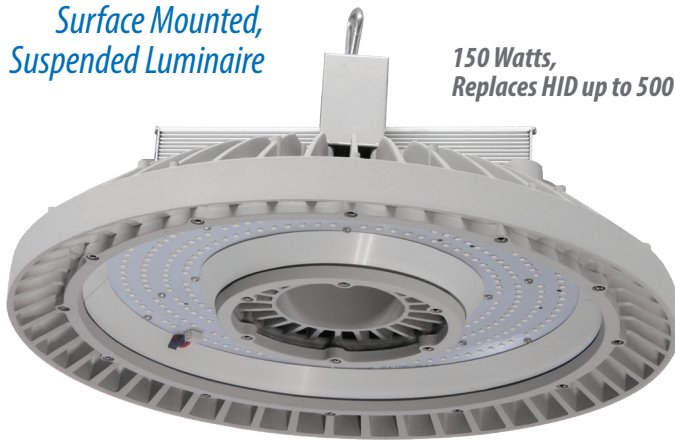
## APPLICATIONS

- Indoor Tennis Courts
- Industrial & Manufacturing Plants
- Workshop Areas
- Warehouses / Depots
- Conference Halls

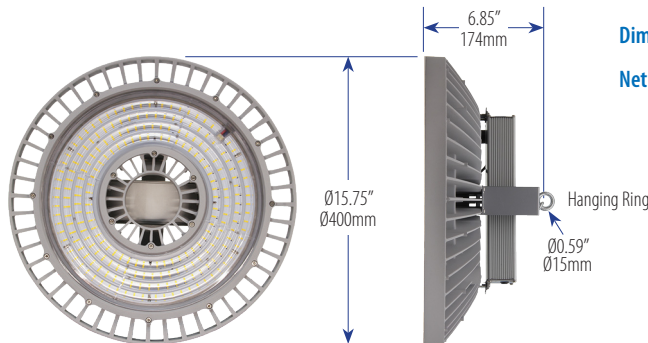
Over 30 Years of LEDtronic Design, Engineering & Manufacturing Experience

Surface Mounted,  
Suspended Luminaire

150 Watts,  
Replaces HID up to 500W



110° BEAM ANGLE



## HBL004-150W-XPW-201WD

<b>Input Power</b>	150 Watts
<b>Input Voltage</b>	277~ 480VAC (Tested @ 277VAC)
<b>Input Current</b>	0.54A
<b>Total Lumens</b>	18220 lm
<b>Efficacy</b>	121 lm/W
<b>Max. Candela</b>	6748 cd
<b>Power Factor</b>	6748 cd
<b>CRI</b>	1.0
<b>Emitted Color</b>	Pure White
<b>Color Temp. (CCT)</b>	5000K
<b>Illumination Angle</b>	110°
<b>Dimmability</b>	0-10V
<b>Oper. Temperature</b>	-40°F ~+122°F / -40°C ~+50°C
<b>Oper. Humidity</b>	10%-90%, Non-Condensing
<b>Protection Rating</b>	IP66
<b>Housing</b>	Die-Cast Magnesium Alloy / Gray
<b>Lens</b>	Tempered Glass / Clear
<b>LEDs</b>	SMD / 224 pcs
<b>Dimensions</b>	Ø15.75 x 6.85 in Ø400 x 174 mm
<b>Net Weight</b>	11.0 lbs / 4.9 Kg



# LEDTRONICS

America's Premium Brand LED Company™



23105 Kashiwa Court, Torrance, CA 90505  
 Phone: (800) 579.4875 / (310) 534.1505  
 Fax: (310) 534.1424  
 E-mail: info@ledtronics.com  
 Website: ledtronics.com

© 2017 LEDtronics, Inc.

To order LEDtronic products,  
contact the Distributor or Sales Representative in your area.

Visit our website to find your local Distributor or Representative from our worldwide network:  
**LEDtronic.com**

WWW.LEDTRONICS.COM

LOG 643 / Rev 08-2017

Check LEDTRONICS.COM for latest data.  
Printed material may be outdated.

# LED High Voltage, Low Profile High-Bay Light, 150 Watts

**PHOTOMETRIC REPORT:**

**HBL004-150W-XPW-201WD**

**Filename: HBL004-150W-XPW-201WD**

Manufacturer: LEDTRONICS

Luminaire: CLEAR LENS, 149.7W, 277VAC

Lamp Output: 1 lamp(s), rated Lumens/lamp: 18219.8

Max Candela: 6,748.0 at Horizontal: 0°, Vertical: 0°

Luminous Opening: Point

Test: 3-29-16

Photometry : Type C

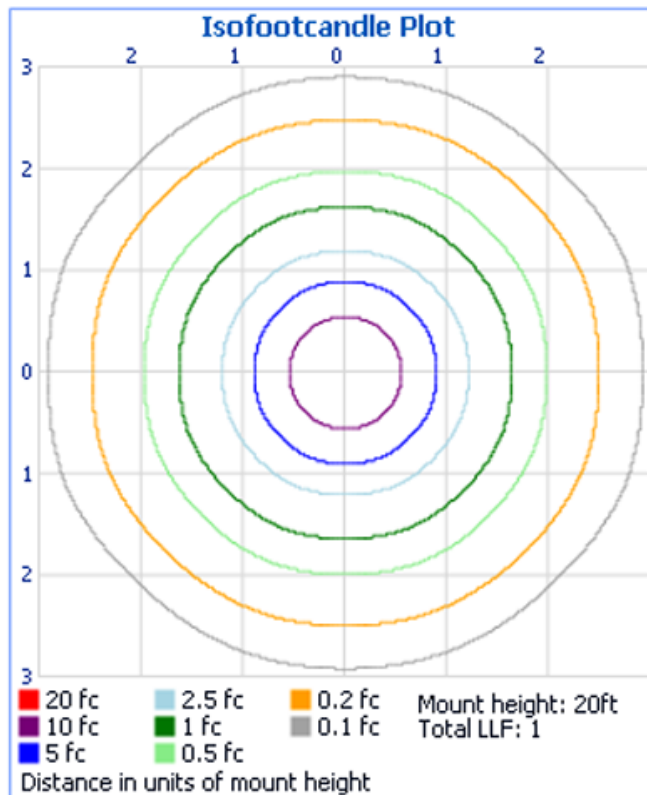
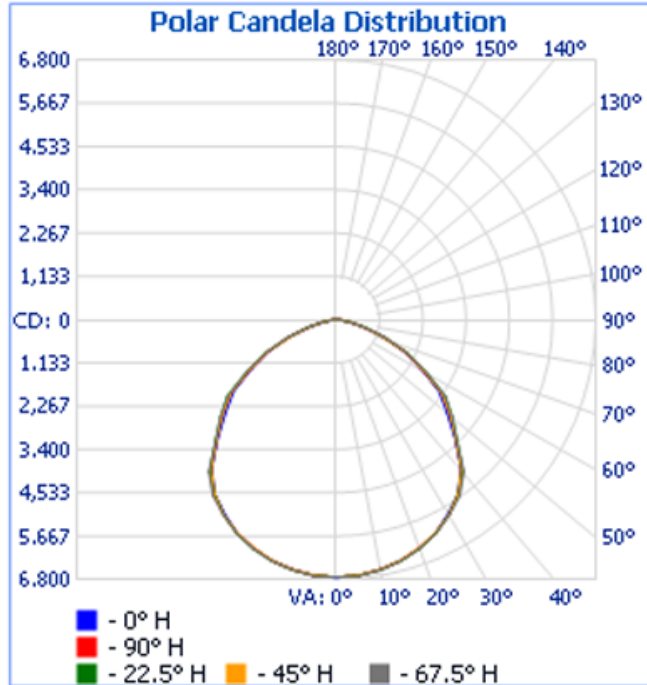
CIE Class: Direct

Cutoff Class: Cutoff

Nema Type: 7 X 7

**Lumens Per Zone**

Zone	Lumens	% Total	Zone	Lumens	% Total
0-10	638.8	3.5%	90-100	0	0%
10-20	1,843.9	10.1%	100-110	0	0%
20-30	2,839.0	15.6%	110-120	0	0%
30-40	3,477.9	19.1%	120-130	0	0%
40-50	3,460.2	19.0%	130-140	0	0%
50-60	2,991.1	16.4%	140-150	0	0%
60-70	1,970.6	10.8%	150-160	0	0%
70-80	829.9	4.6%	160-170	0	0%
80-90	168.5	0.9%	170-180	0	0%



**Illuminance at a Distance**

	Center Beam FC	Beam Width	
3.3ft	607.32 fc	9.2ft	9.5ft
6.7ft	151.83 fc	18.5ft	19.1ft
10.0ft	67.48 fc	27.7ft	28.6ft
13.3ft	37.96 fc	36.9ft	38.1ft
16.7ft	24.29 fc	46.2ft	47.6ft
20.0ft	16.87 fc	55.4ft	57.2ft

Vert. Spread: 108.4°      Horiz. Spread: 110.0°