



LED Chandelier Bulbs, 3 Watts, Dimmable, Frosted

120VAC — Replaces Incandescents up to 40 Watts — 2400K or 2700K White



FEATURES

- 2 Year LEDtronics Warranty
- High Lumen, Energy Savings up to 90%
- Dimmable with Standard Dimmers
- Lumen Maintenance over 70% @ 50,000+ Hours
- Filament or Halogen White Color, High CRI >80
- Regular Chandelier Bulb Look – Minimum Heatsink Visible
- No UV or IR
- Solid State – High Shock/Vibration Resistant
- Option: Other Color Temperatures Available for Volume Quantities

APPLICATIONS

- Chandeliers
- Wall Scones
- Carriage Lanterns
- Decorative Lighting
- Accent Lighting
- String Lighting
- Patio & Porch Light Fixtures
- Foyer Light Fixtures

30 Years of LEDtronics Design, Engineering & Manufacturing Experience

E26 Base
Frosted Lens



DEC06HP-E26F-XFW-120AD

Input Power	3.1 Watts
Input Voltage	120VAC
Total Lumens	202 lm
Max. Candela	21 cd
Power Factor	0.73
Efficacy	65 lm/W
CRI	>80
Color	Filament White
Color Temperature	2200K-2400K
Light Pattern	360° x 145° Omnidirectional
Oper. Temperature	-13°F ~+113°F / -25°C ~+45°C
Base	E26 Edison
Lens	Glass / Frosted
Heatsink	Aluminum / Silver Color
Dimensions	4.33 x Ø1.37 inch / 110 x Ø35 mm
Net Weight	0.05 lbs / 0.8 oz / 22.7 g



E12 Base
Bent-Tip Frosted Lens



DEC06HP-E12BF-XHW-120AD

Input Power	3 Watts
Input Voltage	120VAC
Total Lumens	235 lm
Max. Candela	25 cd
Power Factor	0.75
Efficacy	80 lm/W
CRI	>80
Color	Halogen White
Color Temperature	2400K-2700K
Light Pattern	Omnidirectional
Oper. Temperature	-4°F ~+113°F / -20°C ~+45°C
Base	E12 Chandelier
Lens	Glass / Frosted / Bent Tip
Heatsink	Aluminum / Silver Color
Dimensions	5.49 x Ø1.37 inch / 139 x Ø35 mm
Net Weight	0.05 lbs / 0.8 oz / 22.7 g



LEDTRONICS®

Creating the Future of LED Light Since 1983™



23105 Kashiwa Court, Torrance, CA 90505
 Phone: (800) 579.4875 / (310) 534.1505
 Fax: (310) 534.1424
 E-mail: info@ledtronics.com
 Website: ledtronics.com

© 2014 LEDtronics, Inc.

To order LEDtronics products, contact the Distributor or Sales Representative in your area.

Visit our website to find your local Distributor or Representative from our worldwide network:

LEDTRONICS.COM

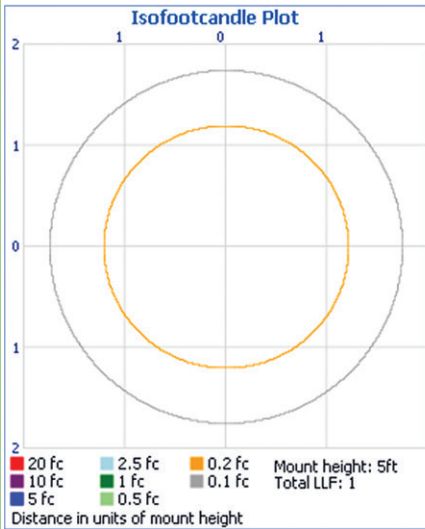
WWW.LEDTRONICS.COM

LOG 527 / Rev 10-2014

Check LEDTRONICS.COM for latest data. Printed material may be outdated.

PHOTOMETRIC REPORT:

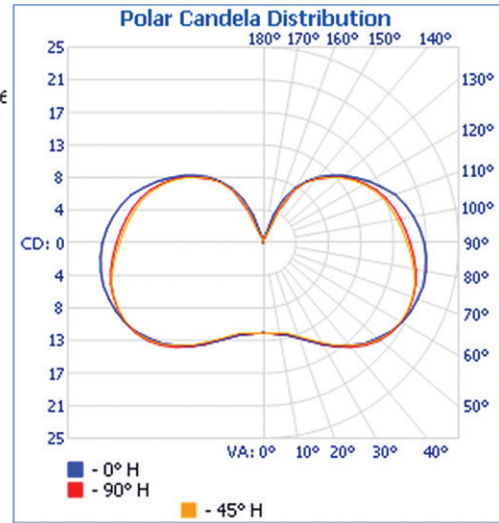
DEC06HP-E26F-XFW-120AD



Luminaire: FROSTED LENS, 120VAC, 3.1W
 Luminaire Cat: DEC06HP-E26F-XFW-120AD
 Lamp: . LUMEN RATING: 201.6Lms.
 Lamp Output: 1 lamp(s), rated Lumens/lamp: 201.6
 Max Candela: 21.2 at Horizontal: 0°, Vertical: 75°
 Luminous Opening: Point
 Test: 5-23-14
 Photometry : Type C
 CIE Class: General Diffuse
 Cutoff Class: Noncutoff

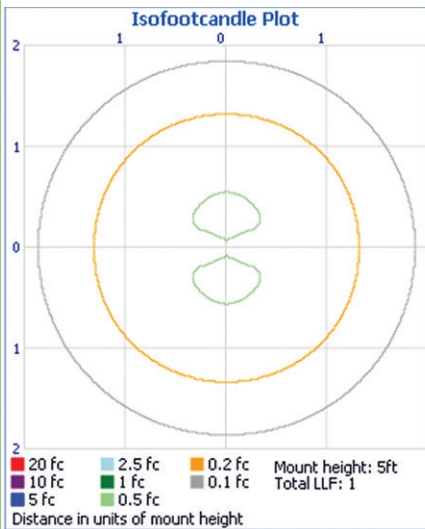
Zonal Lumen Summary

Zone	Lumens	% Lamp	% Luminaire
0-30	11.0	5.5%	5.5%
0-40	21.1	10.5%	10.5%
0-60	53.1	26.3%	26.3%
60-90	63.2	31.3%	31.3%
70-100	63.1	31.3%	31.3%
90-120	54.6	27.1%	27.1%
0-90	116.2	57.7%	57.7%
90-180	85.4	42.3%	42.3%
0-180	201.6	100%	100%



PHOTOMETRIC REPORT:

DEC06HP-E12BF-XHW-120AD



Luminaire: FROSTED LENS, 120VAC, 2.8W
 Luminaire Cat: DEC06HP-E12BF-XHW-120AD
 Lamp: . LUMEN RATING: 236.6Lms.
 Lamp Output: 1 lamp(s), rated Lumens/lamp: 236.6
 Max Candela: 25.0 at Horizontal: 90°, Vertical: 80°
 Luminous Opening: Point
 Test: 5-23-14

Photometry : Type C
 CIE Class: General Diffuse
 Cutoff Class: Noncutoff

Zonal Lumen Summary

Zone	Lumens	% Lamp	% Luminaire
0-30	13.0	5.5%	5.5%
0-40	25.2	10.7%	10.7%
0-60	62.8	26.5%	26.5%
60-90	74.4	31.5%	31.5%
70-100	75.1	31.7%	31.7%
90-120	64.9	27.4%	27.4%
0-90	137.2	58%	58%
90-180	99.4	42%	42%
0-180	236.6	100%	100%

