



LED PL/CFL-Style Lamps / G24Q Base / 90° Beam / 7 Watts

LEDG24QU-7W-XxW-xxxW



www.LEDtronics.com

LOG 421 / Rev 11 - 2012

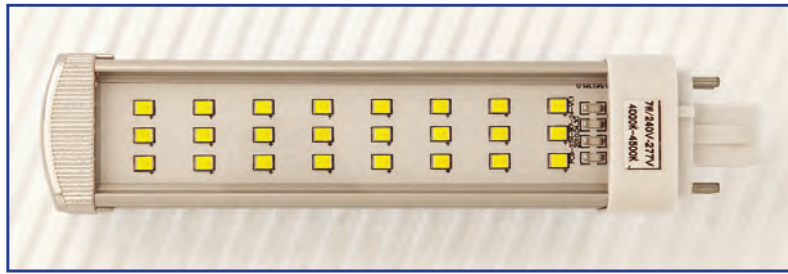
Check LEDtronics.com for latest data. Printed material may be outdated.

Replacement Lamps for PL Compact Fluorescents Up to 23 Watts in Directional Lighting Applications

7 Watts Max — Operates on 110-240VAC or 240-277VAC — 4-Pin G24Q Base — 110° Viewing Angle

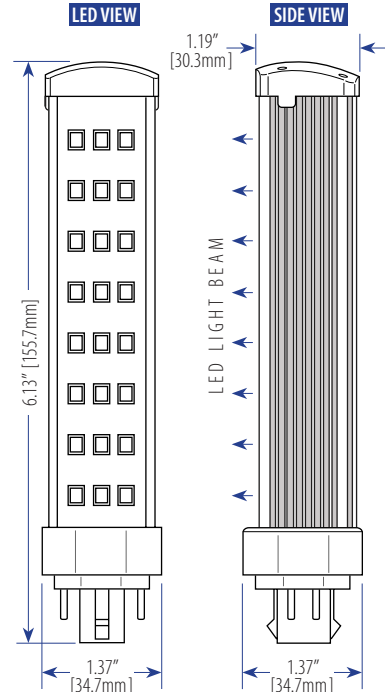
FEATURES

- Lamp Warranty:** 3 Years U.S. Factory
- Optimal Circuitry Design:** Built with Dedicated LED Driver with PWM Constant Current Supply – Ensures Longer Operating Lifespan, Minimizes Brightness Deterioration Due to Overdriven LED
- Long Life:** White LEDs Last up to 50,000 Hours of Continuous Operation
- Choice of White Colors:** 2800K to 4500K
- Solid State:** High-Shock and High-Vibration Resistant
- Easy Installation:** G24Q Socket Fixtures that Do Not Use a Ballast or Starter Need No Adapting or Wiring
- Light, Rugged Body:** Extruded Aluminum Housing, Clear Acrylic Lens (No Glass to Break)
- High CRI:** Bring out Vivid Colors
- Wide Ambient Operating Temp. Range:** Perfect for Environments with Extreme Climates
- Eco-Friendly:** RoHS Listed – No Mercury, No Lead Content



BENEFITS

- Major Energy Savings:** Up to 70% over CFLs
- Instant, Steady Light:** No Fluorescent Flickering; No Warm-Up Time Or Blinking Effects
- High Intensity / No Halation:** Even Light Distribution, No Glare to Eyes
- Maintenance-Free:** Greater Longevity & Shock Resistance than Compact Fluorescents
- No Harmful Emissions:** No UV or IR Radiation – No RF Interference
- Cool Operation:** Better Heat Dispersion – Doesn't Get Hot to the Touch, Reduces A/C Load
- Unlike PL/CFL, LED Lamps Do Not Suffer from Reduced Lifespan When Repeatedly Switched on by a Microwave Or PIR Sensor



APPLICATIONS

- Wherever Compact Fluorescents with Quad-Pin G24Q-1, 2 or 3 Bases Can Have Light Directed More Efficiently:
- Wall Lanterns**
Beaming Light Away from the Wall
 - Wall Sconces**
Beaming Light in One Primary Direction
 - Ceiling Lights**
90° Beaming Down
 - Display & Cabinet Lighting**
 - Art Galleries / Museums**
 - Commercial Area / Industrial Lighting**
 - Show Rooms / Hotels / Restaurants**
 - Subways, Bus & Train Stations**

Ideal for Use with Alternate or Renewable Energy Resources – Solar & Wind Power

SPECIFICATIONS

SPECIFICATIONS SUBJECT TO CHANGE WITHOUT NOTICE	
PART NUMBER	LED24QU-7W-XxW-xxxW
Viewing Angle	110° ± 3° [Full Beam Width @ 50% Intensity]
Operating Humidity	≤95%
Dimensions	L 6.46" x W 1.34" [164mm x 34mm]

BASE: G24Q



White LED technology is patent protected in the United States. LEDtronics white LED products are covered under these patents.

PART NUMBER	INPUT CURRENT	ENERGY USED (7.0 Watts max)	EFFICACY	TOTAL LUMENS	MAXIMUM CANDELA	POWER FACTOR	CRI	COLOR TEMP.	EMITTED COLOR	VIEWING ANGLE*	OPERATING TEMPERATURE	WEIGHT (lbs)
110-240VAC (TESTED @120VAC) / 4-pin G24QU Universal Tabless Base											(* Full Beam Width @ 50% Intensity)	
LEDG24QU-7W-XIW-001W	0.058A	6.8 Watts typ	75 lm/W	511 lm	198 cd	>0.86	79	2900K - 3200K	Warm White	110°	-37°C to +55°C	0.236
LEDG24QU-7W-XWW-001W	0.046A	5.7 Watts typ	61 lm/W	303 lm	111 cd	0.86	74	4000K - 4500K	Natural White	110°	-37°C to +55°C	0.250
240-277VAC (TESTED @277VAC) / 4-pin G24QU Universal Tabless Base												
LEDG24QU-7W-XHW-277AW	0.029A	5.9 Watts typ	92 lm/W	540 lm	199 cd	0.74	74	2600K - 2800K	Halogen White	105°	-37°C to +55°C	0.2375
LEDG24QU-7W-XWW-002AW	0.039A	6.7 Watts	50 lm/W	338 lm	128 cd	0.60	74	4000K - 4500K	Natural White	110°	-37°C to +55°C	0.250



LEDG24QU-7W-XIW-001W

Luminaire Photometric Report

Filename: LEDG24QU-7W-XIW-001W
 Manufacturer: LEDTRONICS
 Luminaire: CLEAR LENS, 120VAC, 6.8W
 Luminaire Cat: LEDG24QU-7W-XIW-001W
 Lamp: LUMEN RATING: 511.0Lms.
 Lamp Output: 1 lamp(s), rated Lumens/lamp: 511
 Max Candela: 198.0 at Horizontal: 0°, Vertical: 0°
 Luminous Opening: Point
 Test: 9-6-12
 Photometry : Type C
 CIE Class: Direct
 Cutoff Class: Cutoff

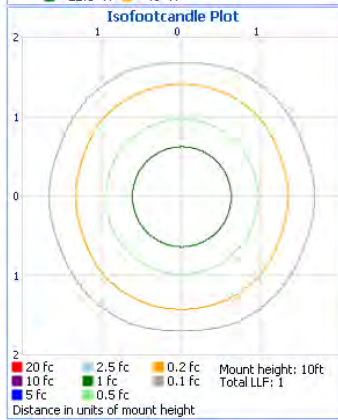
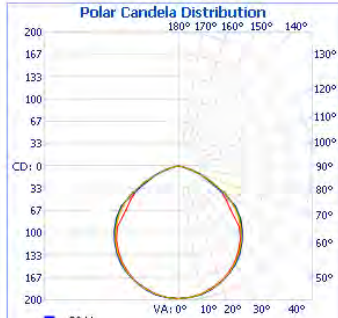
Zonal Lumen Summary

Zone	Lumens	% Lamp	% Luminaire
0-30	153.9	30.1%	30.1%
0-40	252.5	49.4%	49.4%
0-60	437.9	85.7%	85.7%
60-90	73.2	14.3%	14.3%
70-100	21.8	4.3%	4.3%
90-120	0	0%	0%
0-90	511.0	100%	100%
90-180	0	0%	0%
0-180	511.0	100%	100%

Illuminance at a Distance

Center Beam FC	Beam Width
1.7ft	71.28 fc 4.9ft 4.1ft
3.3ft	17.82 fc 9.8ft 8.2ft
5.0ft	7.92 fc 14.7ft 12.3ft
6.7ft	4.46 fc 19.6ft 16.5ft
8.3ft	2.85 fc 24.5ft 20.6ft
10.0ft	1.98 fc 29.4ft 24.7ft

Vert. Spread: 111.5° Horiz. Spread: 102.0°



LEDG24QU-7W-XWW-002AW

Luminaire Photometric Report

Filename: LEDG24QU-7W-XWW-002AW
 Manufacturer: LEDTRONICS -
 Luminaire: WITH CLEAR LENS, 277VAC, 6.7W
 Luminaire Cat: LEDG24QU-7W-XWW-002AW
 Lamp: LUMEN RATING: 338.0Lms.
 Lamp Output: 1 lamp(s), rated lamp lumens: 338
 Max Candela: 128.0 at Horizontal: 0, Vertical: 0
 Luminous Opening: Point
 Test: 10-12-10

Zonal Lumen Summary

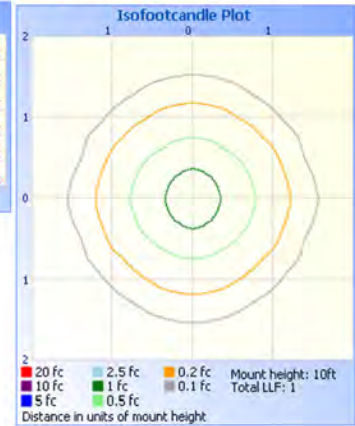
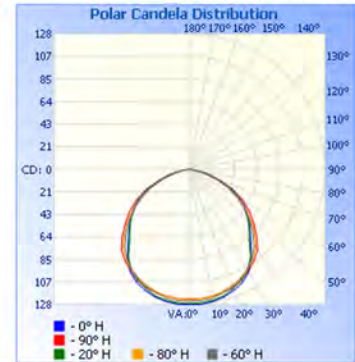
Zone	Lumens	% Lamp	% Luminaire
0-30	98.9	29.3%	29.3%
0-40	161.9	47.9%	47.9%
0-60	280.2	82.9%	82.9%
60-90	57.8	17.1%	17.1%
0-90	338.0	100%	100%
0-180	338.0	100%	100%

Total Efficiency: 100%

Illuminance at a Distance

Center Beam FC	Beam Width
1.7ft	46.08 fc 4.8ft 5.0ft
3.3ft	11.52 fc 9.7ft 10.0ft
5.0ft	5.12 fc 14.5ft 15.0ft
6.7ft	2.88 fc 19.4ft 20.0ft
8.3ft	1.84 fc 24.2ft 25.1ft
10.0ft	1.28 fc 29.1ft 30.1ft

Vert. Spread: 111.0° Horiz. Spread: 112.7°



LEDG24QU-7W-XHW-277AW

Luminaire Photometric Report

Filename: LEDG24QU-7W-XHW-277AW
 Manufacturer: LEDTRONICS
 Luminaire: CLEAR LENS, 277VAC, 5.9W
 Luminaire Cat: LEDG24QU-7W-XHW-277AW
 Lamp: LUMEN RATING: 540.4Lms.
 Lamp Output: 1 lamp(s), rated Lumens/lamp: 540.4
 Max Candela: 199.0 at Horizontal: 45°, Vertical: 0°
 Luminous Opening: Point
 Test: 9-7-12
 Photometry : Type C
 CIE Class: Direct
 Cutoff Class: Cutoff

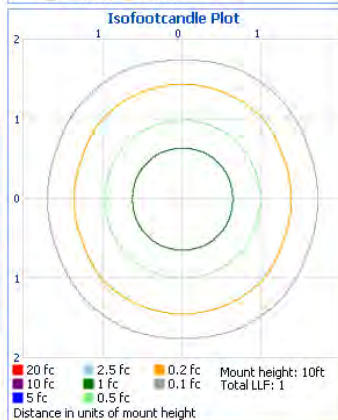
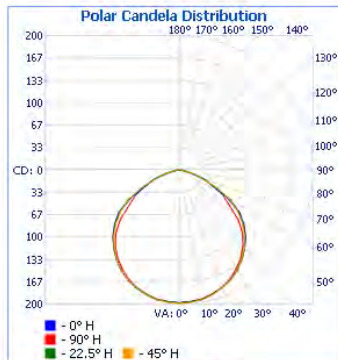
Zonal Lumen Summary

Zone	Lumens	% Lamp	% Luminaire
0-30	156.0	28.9%	28.9%
0-40	257.2	47.6%	47.6%
0-60	453.4	83.9%	83.9%
60-90	87.0	16.1%	16.1%
70-100	28.6	5.3%	5.3%
90-120	0	0%	0%
0-90	540.4	100%	100%
90-180	0	0%	0%
0-180	540.4	100%	100%

Illuminance at a Distance

Center Beam FC	Beam Width
1.7ft	71.28 fc 5.1ft 4.5ft
3.3ft	17.82 fc 10.2ft 8.9ft
5.0ft	7.92 fc 15.3ft 13.4ft
6.7ft	4.46 fc 20.5ft 17.9ft
8.3ft	2.85 fc 25.6ft 22.3ft
10.0ft	1.98 fc 30.7ft 26.8ft

Vert. Spread: 113.8° Horiz. Spread: 106.5°



CUSTOM OPTIONS

[For qualified applications & large-quantity OEM orders]

Available in any combination of...

- 5 or 7 Watts
- **White Colors:** 2800K 'Halogen' White / 3200K Warm White / 4100K Natural White
- **Voltage Ranges:** 120-to-240VAC or 240-to-277VAC
- **Different Base Styles**

CAUTION

LED Bulbs must not exceed the listed Ambient Operating Temperature Range. Our LED bulbs are designed for optimum performance in properly vented fixtures. To prevent overheating of the lamp which may cause premature failure of the LEDs, do not install in a totally enclosed fixture. Recessed fixtures with some type of venting are more desirable for use with these lamps.

NOTE

G24Q Socket Fixtures that Use a Ballast and/or Starter Need to Be Bypassed.