



Recessed Downlight Can Fixtures / 120VAC & 277VAC

for High-Efficacy GU24-Base PAR30 & PAR38 LED Bulbs

RL6120A / RL75120A / RL6277A / RL75277A



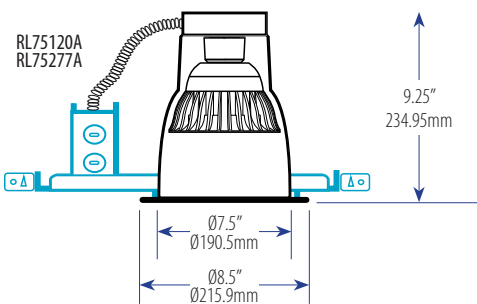
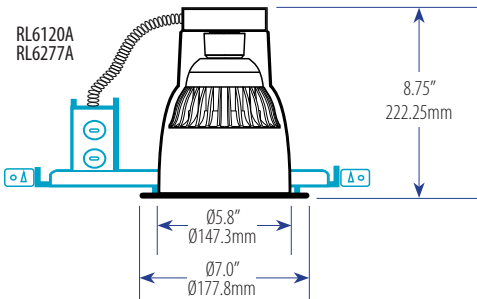
VERTICAL RETROFIT SYSTEMS FOR LED FLOOD LIGHTING

Operates on 120VAC or 277VAC — 6" or 7.5" Aperture Sizes — 120V Kits Dimmable — Made in the USA



| SPECIFICATIONS | | |
|----------------|---------------|----------|
| PART NUMBER | INPUT VOLTAGE | APERTURE |
| RL6120A | 120VAC | 6 inch |
| RL6277A | 277VAC | 6 inch |
| RL75120A | 120VAC | 7.5 inch |
| RL75277A | 277VAC | 7.5 inch |

| SIZE CHART (inches) | | | | |
|---------------------|-----|-----|--------|-------|
| APERTURE | ID | OD | HEIGHT | OT OD |
| 6 | 5.8 | 7 | 8.75 | 8.5 |
| 7.5 | 7.5 | 8.5 | 9.25 | 10 |




FEATURES

RETRO SYSTEM

- Easily installs into existing downlight mounting frame, J-box and mounting hardware
- Consists of precisely designed reflector, GU24 socket, flex, cap and wire attached to J-box
- For use in non-IC-rated ceilings only
- Made in the USA from post-industrial and consumer recycled content

ELECTRICAL

- For use in damp locations
- ETL^{CM} classified for LED retrofits 

REFLECTOR

- Reflector has 30° cutoff for general illumination
- A-Clear Alzak[®] Haze reflector provides durable and anti-iridescent finish, with self-flanged trim
- Vent slots provide convection cooling

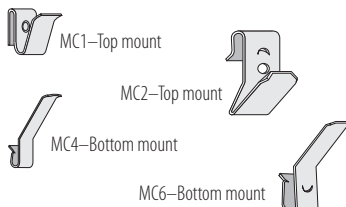
DIMMING

- Use LED lamps indicated for 120V LED dimming only
- Compatible with most LED phase-control dimmers (Lutron C-L^M category models in Diva[™], Skylark Contour[™], Luméa[™], Ariadni[™] & Hi-Lume LED Maestro[®] series recommended for best results)

ACCESSORIES

REFLECTOR MOUNTING CLIPS

Accessory mounting clips are not required for all installations



RETRO SYSTEM

| | |
|--------------|------------------------------------------------------|
| Kit Warranty | 3 Years |
| Wiring | For 120V and 277V retrofits |
| Lamp Type | Designed for GU24 based PAR30 & PAR38 LED lamps only |



An optional LEDtronics PAR30GU Series bulb in the Alzak[®] Haze Reflector

BULBS SOLD SEPARATELY

Available for the GU24 Recessed Can Light Fixtures (NOT INCLUDED)

Long-Life, Energy-Efficient Drop-In Halogen Replacement UL-Listed LED Bulbs in 2-Pin/GU24 Utility-Compliant Base

Clear Lens — 3000K Warm White — Premium SMD LEDs

FOR 7.5" CAN



PAR38GU-15W-001M Series
Operates on 90-290VAC

FOR 6" CAN



PAR30GU-12W-001M Series
Operates on 90-290VAC

PAR38GU-15W-120AMD Series
Operates on 110-120VAC

PAR30GU-12W-120AMD Series
Operates on 110-120VAC

LEDTRONICS[®]
Creating the Future of Light Since 1983[™]

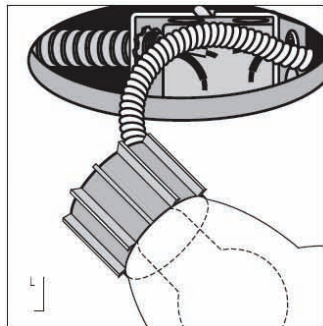
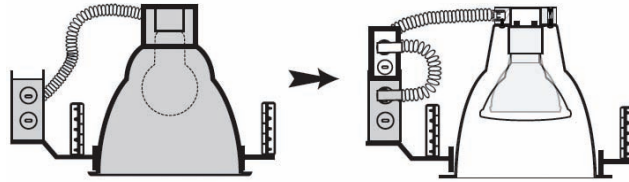
© 2012 LEDtronics, Inc.



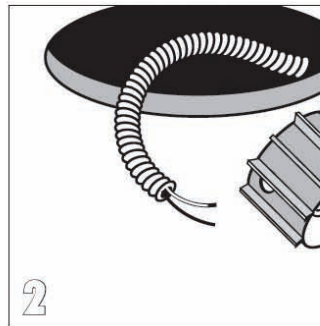
23105 Kashiwa Court, Torrance, CA 90505
Phone: (800) 579.4875 / (310) 534.1505
Fax: (310) 534.1424
E-mail: info@ledtronics.com
Website: http://www.ledtronics.com

WARNING:

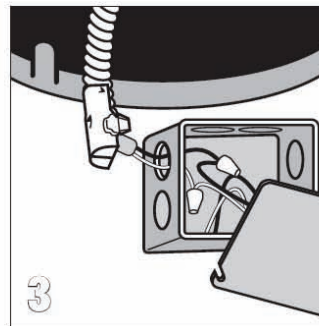
Risk of fire or electric shock. Install this kit only in a fixture that has the construction features shown in these installation instruction drawings.



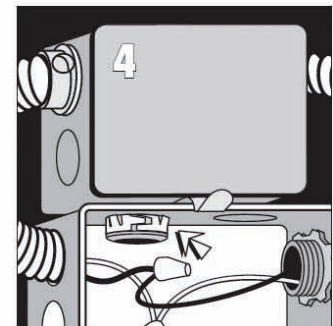
1 Pull down existing reflector from plaster frame



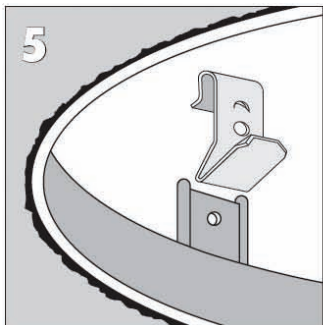
2 Carefully cut socket wires and detach power feed from socket



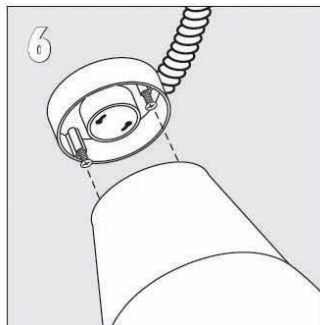
3 Attach power feed to new socket cap J-box and wire-up



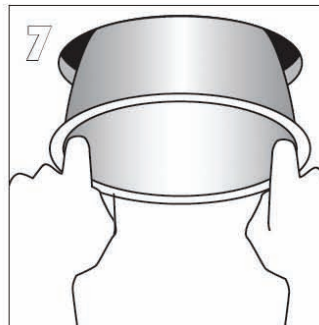
4 Connect socket J-box to existing J-box for support, use box connector



5 Snap-on MC2 spring clips to mounting frame



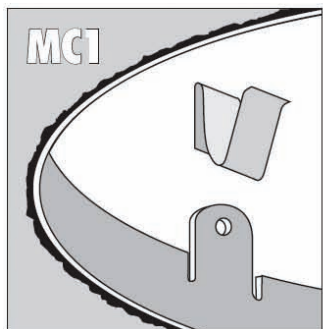
6 Attach new reflector to lamp holder by keyhole slots



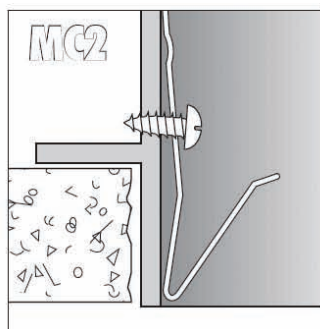
7 Slide reflector into frame, insert proper lamp and check operation

Note:

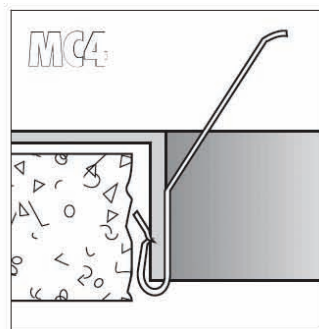
The existing fixture being retro-fitted may require other clip options. If any problem is encountered with the MC2 clip, study the following clip options to determine the best clip.



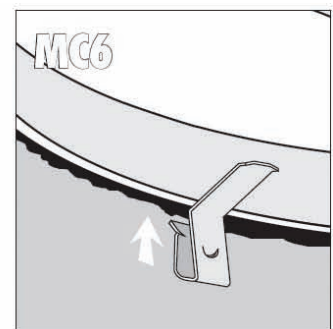
MC1 Clip snaps onto mounting frame screw holes



MC2 clip can be screwed into side of frame



MC4 Clip mounts under mounting frame collar



MC6 Three clips for plaster frames with thick die-cast aluminum collars. Clips slide under frame.