



LED Canopy/Garage Security Luminaire

SLL016-16X2W-XPW-001



115° Beam-Spread Lighting Pattern — 100-277 Wide-Range Input Voltage — Vandal-Resistant

Consumes Only 31 Watts – Replaces Metal Halide Fixtures up to 150 Watts – Up to 80% Energy Savings

FEATURES

- **Warranty:** 5 Years
- **Low Power Consumption:** Only 31 Watts
- **Wide Voltage Input Range:** 100-277VAC
- **Wide Viewing Angle:** 115°
- **Life Expectancy:** 11.4 Years (Based on 12 Hrs/Day)
- **Long Lifespan:** White LED Lumen Maintenance Greater than 70% at 50,000 Hours of Operation (*Rated average life based on engineering testing and probability analysis*)
- **Electronic Instant-Start:** "Instant On" with No Delay in Re-strike
- **Optimized Circuitry:** Power Factor Corrected for Maximum Efficiency
- **Super Intensity:** 676 Candela
- **Meets IP65 Requirements:** Totally Protected against Dust; Protected against Low-Pressure Jets of Water from All Directions. Limited Ingress Permitted.
- **Input Power Surge Protection:** Onboard 40kA Varistor
- **Wide Oper. Temp. Range:** ~-22°F to ~+122°F
- **Quick Mounting:** Simple, 2-Fastener
- **Less Weight:** Only 9.26 lbs
- **Made in the USA** from Imported Parts – Meets *Buy American* Requirements within the ARRA
- **Safety Assurance:** ETL Listed



APPLICATIONS

- Public Spaces Where Vandalism May Be a Problem
- Ideal for Canopies, Pedestrian Tunnels, Stairwells, Corridors, Garages and Parking Structures
- Suitable for Damp Locations



ARRA Compliant



Intertek 4001379



SPECIFICATIONS

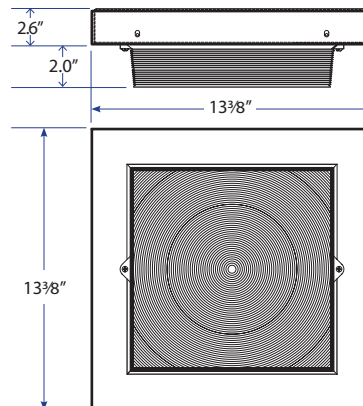
SPECIFICATIONS SUBJECT TO CHANGE WITHOUT NOTICE

PART NO.	SLL016-16X2W-XPW-001
Emitted Color	Pure White
Color Temperature	5000K~5600K
Viewing Angle	115° [Full Beam Width @ 50% Intensity]
Beam Pattern	Type V (Circular)
Color Rendering Index	76
Input Voltage	100 - 277 VAC
Input Current	0.250~0.310 A
Efficacy	72 lm/W
Energy Used	31 Watts
Power Factor	0.98
Total Lumens	2224 lm
Max. Candela	676 cd
Pipe Mounting Diameter	Flush mount / Side KOs for 1/2" Conduit
Ambient Operating Temp.	~-22°F to ~+122°F (~-30°C to ~+50°C)
Dimensions	13 3/8 x 13 3/8 x 4.6 in (34 x 34 x 11.7 cm)
Weight	9.2625 lbs / 4.2 Kg

White LED technology is patent protected in the United States. LEDtronics white LED products are covered under these patents.

BENEFITS

- **Major Energy Savings:** Over 55% Compared to Incandescents
- **Low Maintenance:** Lowers Costs by Reducing Re-lamp Frequency
- **Solid-State:** High-Shock & High-Vibration-Resistant
- **High CRI** Enhances Colors
- **No Harmful Emissions:** No Ultraviolet, No Infrared
- **Reduces Light Pollution:** No Wasted Light, "Dark Skies Initiative"-Friendly
- **Enhances Vision:** Little or No Disability Glare as Compared with High Glare from HID Lamps



CONSTRUCTION

- Polycarbonate, Injection-Molded Lens
- Neoprene Gasket between Fixture Pan and Exterior Housing
- 18ga. Electro-Galvanized Paintlok™ Steel Construction
- 20ga. Fixture Pan with 18ga. Exterior Housing; 20ga. and 24ga. Cold-Rolled Steel Internal Components
- Baked, White-Powder-Coated Finish (Paint after Fabrication)

LEDTRONICS®

Creating the Future of LED Light Since 1983™

© 2013 LEDtronics, Inc.



Contract Holder

23105 Kashiwa Court, Torrance, CA 90505

Phone: (800) 579.4875 / (310) 534.1505

Fax: (310) 534.1424

E-mail: info@ledtronics.com

Website: ledtronics.com

www.LEDtronics.com

LOG # 221 / Rev 09-2013

Check LEDTRONICS.COM for latest data. Printed material may be outdated.

Canopy/Garage Wall Surface Security Luminaire

SLL016-16X2W-XPW-001

Luminaire Photometric Report

Filename: SLL016-16X2W-XPW-001

Manufacturer: LEDTRONICS

Luminaire: PRISMATIC LENS, 30.8W, 120VAC

Luminaire Cat: SLL016-16X2W-XPW-001

Lamp: LUMEN RATING: 2223.7Lms

Lamp Output: 1 lamp(s), rated Lumens/lamp: 2223.7

Max Candela: 676.0 at Horizontal: 45°, Vertical: 15°

Luminous Opening: Point

Test: 1-24-13

Photometry : Type C

CIE Class: Direct

Cutoff Class: Semicutoff

Nema Type: 7 X 7

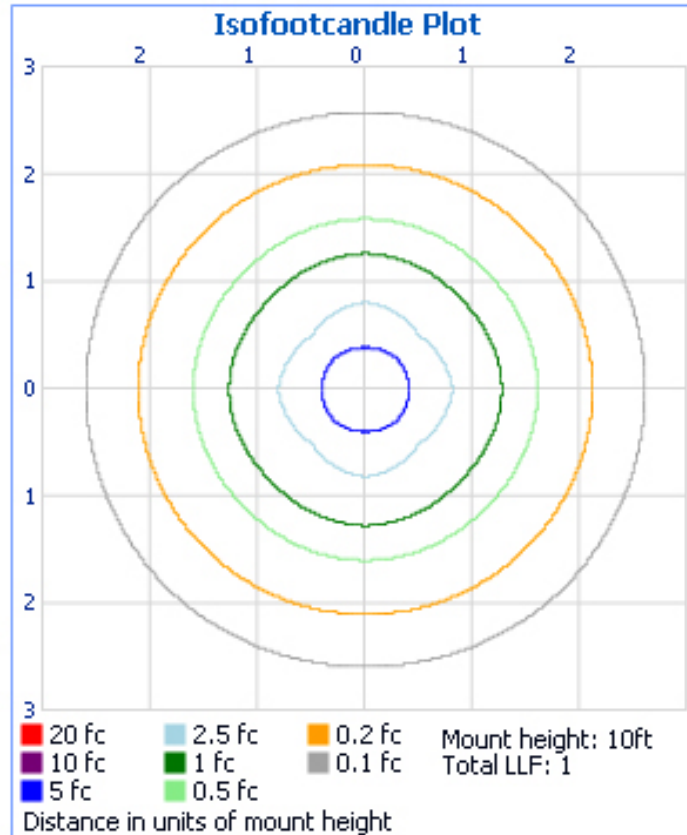
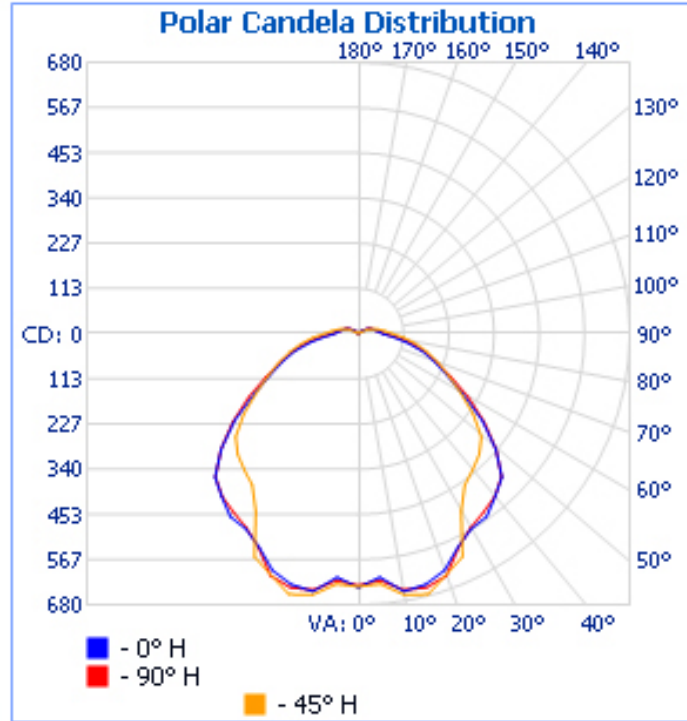
Zonal Lumen Summary

Zone	Lumens	% Lamp	% Luminaire
0-30	521.9	23.5%	23.5%
0-40	842.3	37.9%	37.9%
0-60	1,525.9	68.6%	68.6%
60-90	546.0	24.6%	24.6%
70-100	363.7	16.4%	16.4%
90-120	138.5	6.2%	6.2%
0-90	2,071.9	93.2%	93.2%
90-180	151.7	6.8%	6.8%
0-180	2,223.7	100%	100%

Illuminance at a Distance

	Center Beam FC	Beam Width	
1.7ft	228.96 fc	5.1ft	5.3ft
3.3ft	57.24 fc	10.2ft	10.5ft
5.0ft	25.44 fc	15.3ft	15.8ft
6.7ft	14.31 fc	20.4ft	21.1ft
8.3ft	9.16 fc	25.5ft	26.4ft
10.0ft	6.36 fc	30.6ft	31.6ft

■ Vert. Spread: 113.7° ■ Horiz. Spread: 115.4°



PACKAGE INCLUDES:

Tamper-Proof Screws & Tool, 2" Snap-in Bushing